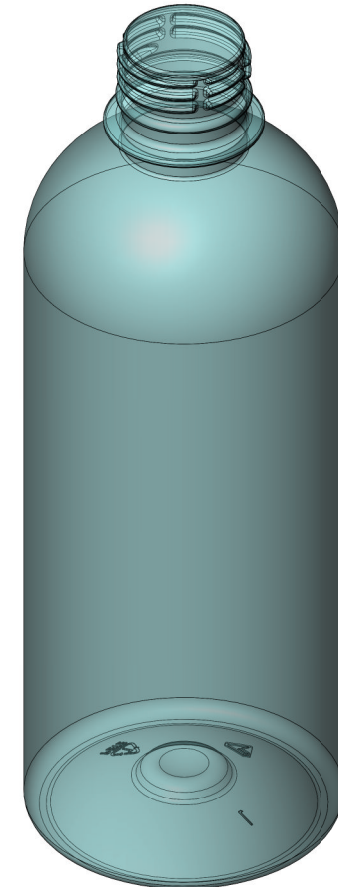
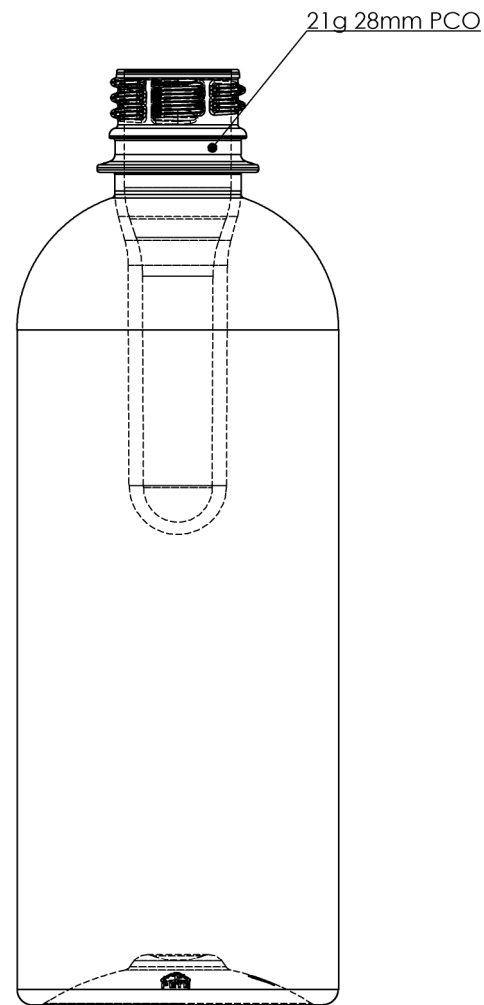
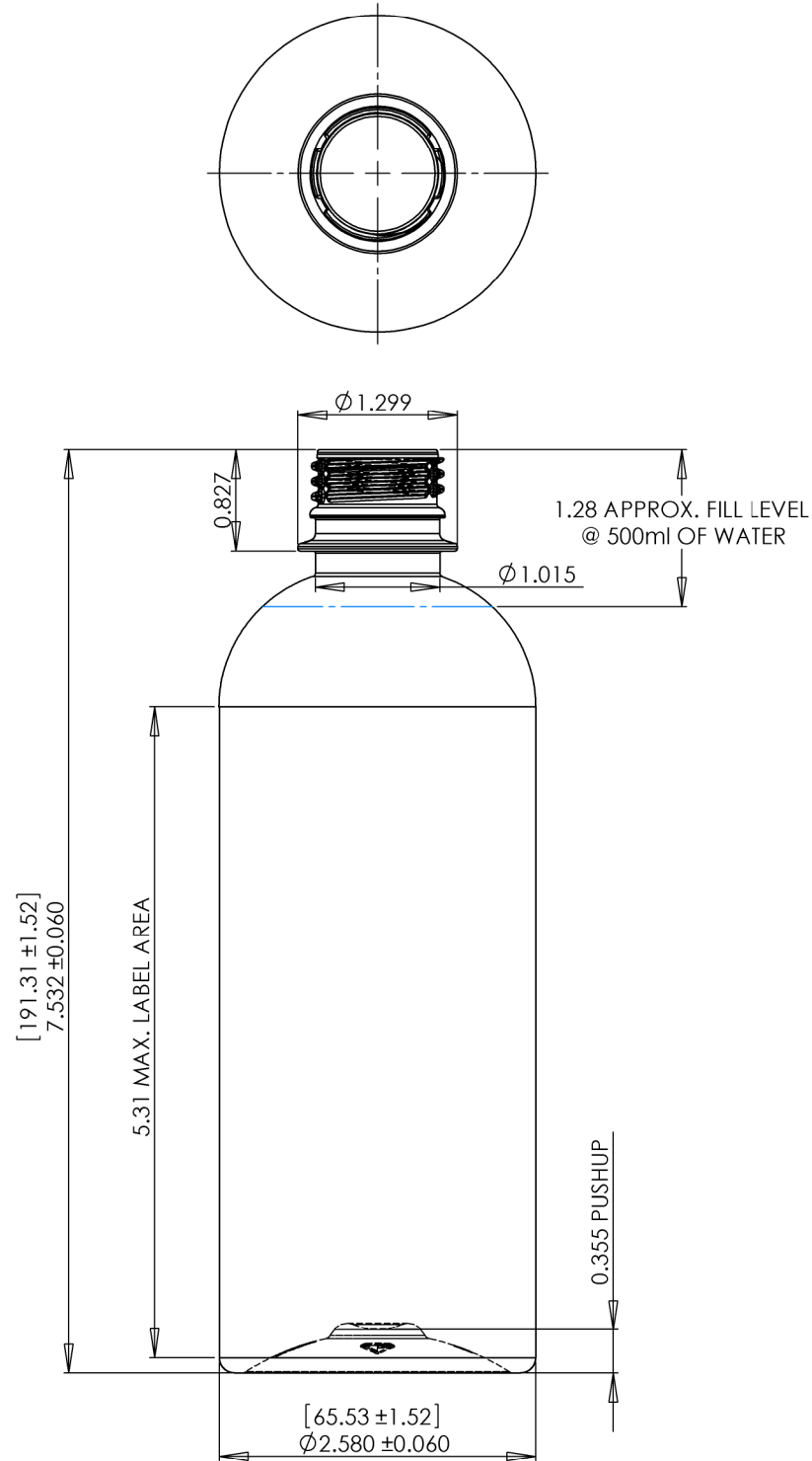
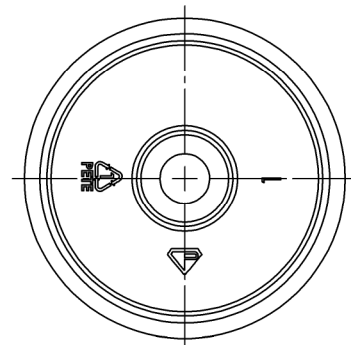


NOTE	DESCRIPTION	NAME	DATE
A	Ø2.600 WAS Ø2.375 HEIGHT 7.432 WAS 8.567	RS	1/11/2008
B	PREFORM WEIGHT WAS 19.95g, VCI LOGO ADDED	GS	1/22/2008
C	OD WAS 2.600", HEIGHT WAS 7.432"	GS	2/1/2008



PREFORM STRETCH RATIOS
LINEAR 2.18:1
DIAMETER 3.90:1

**THIS DRAWING IS FOR DISCUSSION
 PURPOSES ONLY. FINAL VOLUME AND
 OVERALL SIZES WILL BE VERIFIED
 AFTER CONCEPT APPROVAL**



PART DRAWING TO BE APPROVED
 PRIOR TO MOULD PRODUCTION

APPROVED BY: _____

DATE: _____

PROPRIETARY AND CONFIDENTIAL		
THE INFORMATION CONTAINED IN THIS DRAWING IS CONFIDENTIAL. ANY REPRODUCTION IN PART OR AS A WHOLE WITHOUT THE WRITTEN PERMISSION OF HALLINK RSB INC. IS PROHIBITED.		
BOTTLE OVERFLOW CAPACITY	PART WEIGHT	SHEET SIZE
519ml ±11ml	21g	C
MATERIAL	APPROVALS	DATE
PETE	DRAWN RS	01/10/08
NECK FINISH	CHECKED GS	01/10/08
28mm PCO	ISSUED RS	01/10/08
DO NOT SCALE DRAWING		



Hallink RSB Inc.
 284 Pinebush Rd., Cambridge, ON., Canada. N1T 1Z6
 www.hallink.com

500ml STOCK ROUND WATER

This drawing subject to
 standard industry
 tolerances. (S.P.I.)

JOB NO.	11301-20
CUSTOMER NO.	--
SCALE	1 : 1
SHEET	1 OF 1