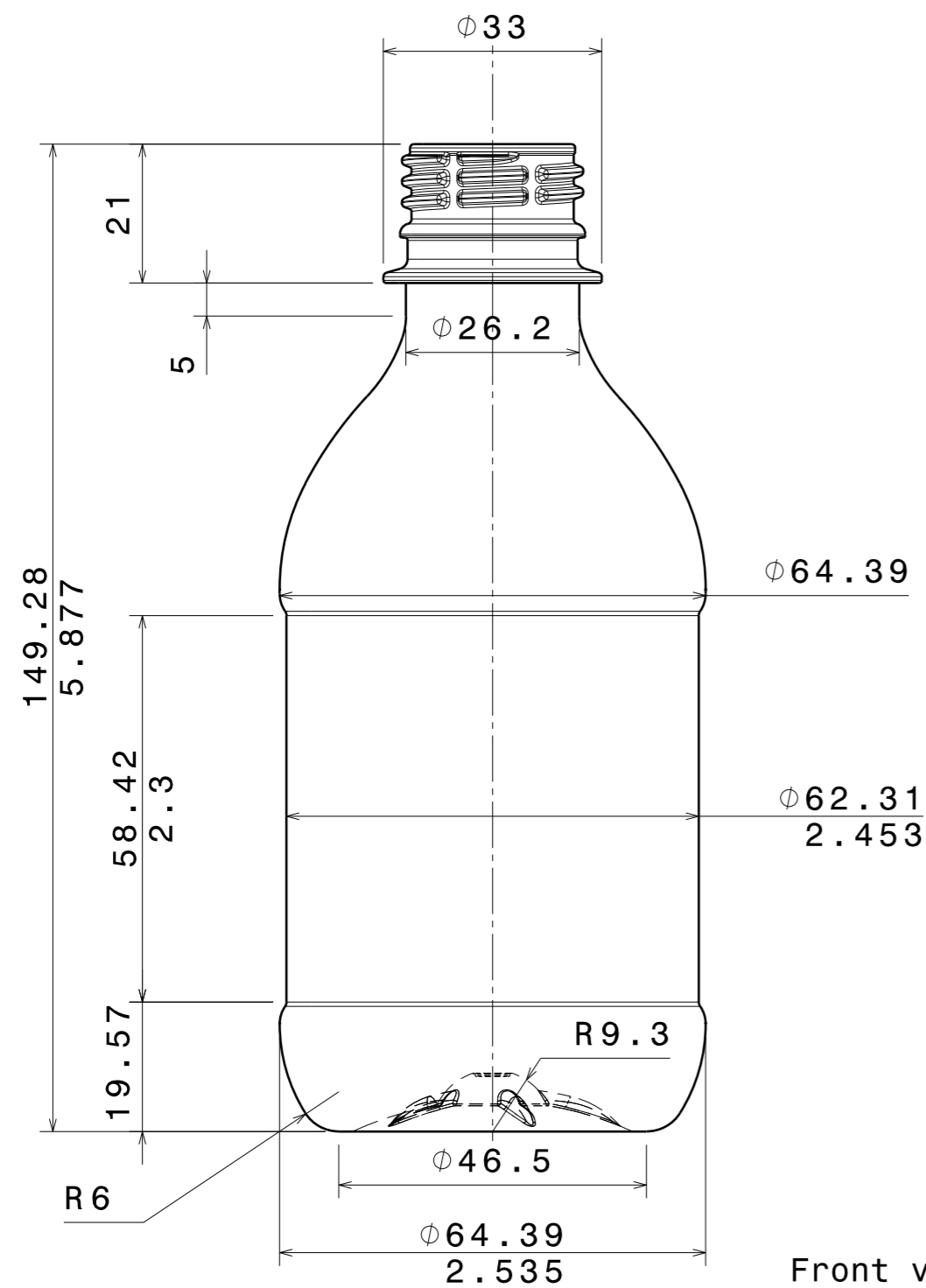
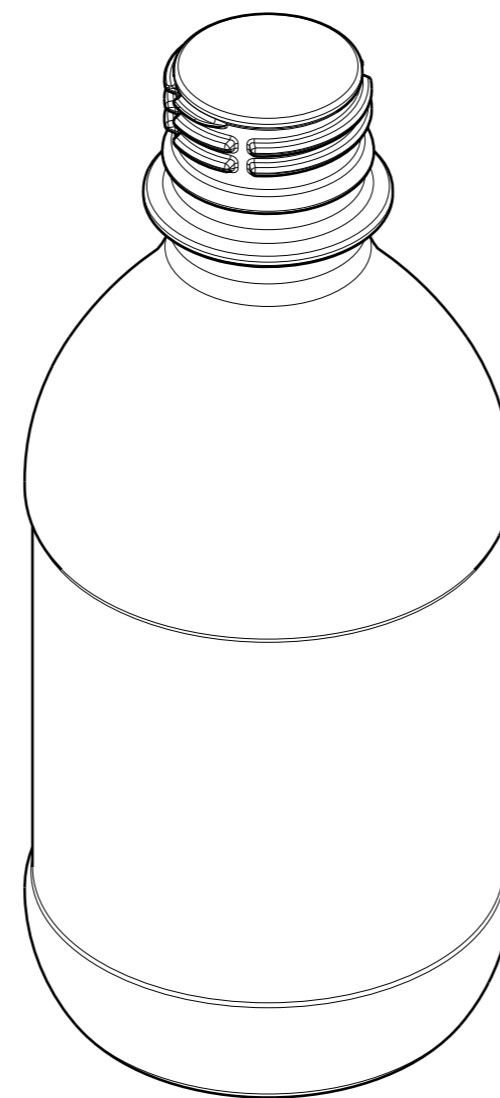


Bottom view
Scale: 1:1



Front view
Scale: 1:1



Isometric view
Scale: 1:1

© 2010 SIDEL

This drawing is SIDEL property and contains or may contain SIDEL confidential information, including trade secrets. This drawing and all the information contained therein shall be kept strictly confidential by the recipient and is not to be used or disclosed to any third party without SIDEL's express consent. This drawing shall not be used directly or indirectly by the recipient except for the specific purpose for which this drawing is disclosed by SIDEL. All intellectual property rights are reserved by SIDEL. No representation or warranty, express or implied, is made by SIDEL with respect to the truth, accuracy, sufficiency or absence of defect of the information contained in this drawing or with respect to third party intellectual property rights.

STANDARD SIDEL NOTES FOR PET BOTTLE

FOR BOTTLES 72 HOURS AFTER MANUFACTURE WHEN STORED AT ROOM TEMPERATURE AND 50% R.H. OR FOR DIRECT BLOW FILL PROCESS BOTTLES, i.E.COMBI EQUIPMENT.

- 1 ALL DIMENSIONS IN MILLIMETERS (EXCEPT WHERE NOTED).
- 2 APPROVED FINISH/CLOSURE SYSTEMS, INCLUDING SUPPORT LEDGE DETAILS, MUST BE USED.
- 3 THE FOLLOWING TOLERANCES APPLY FOR OVERALL HEIGHT, MAJOR DIAMETER, AND LABEL DIAMETER (EXCEPT WHERE NOTED):
 HEIGHT ±0.5% OF STATED DIMENSIONS
 DIAMETER ±1.0% OF STATED DIMENSIONS

4 FOR AS DELIVERED BOTTLES, THE FOLLOWING CAPACITY TOLERANCES APPLY (EXCEPT WHERE NOTED):

ALL PRODUCTS EXCEPT HOTFILL		
NOMINAL CAPACITY	INDIVIDUAL	AVERAGE
<=300ml	+7ml / -3ml	+6ml / 0
>300 TO <=1000ml	+1,70% / -0,8%	+1.6% / 0
>1000 TO <2000ml	+1,3% / -0,6%	+1.2% / 0
>= 2000ml	+1,1% / -0,5%	+1.0% / 0
NCB Hotfill		
NOMINAL CAPACITY	INDIVIDUAL	AVERAGE
<=500ml	+11ml / -5ml	+10ml / 0
>500ml	+1,7% / -0,8%	+1.6% / 0

6 UNDER NECK PROFILE AND DIMENSIONS ARE FOR INDICATION ONLY

20 May 2010	eileen.chang	adjusted shoulder for brimfull volume	02	a					
28 Apr 2010	eileen.chang	Drawing created	01	a					
Date	Name	Modification	Ver	Rev					
average diameter	1/2 length	label developed length	surface area	Neck finish reference	E	Neck rocking angle	Gravity center	Minimum Stability angle	
64.390 mm	164.11 mm	195.75 mm	26070 mm ²	10203081 5.00 g		26.75 Deg	59.15 mm	23.63 Deg	
BLOWING & COATING DIVISION Sidel Blowing & Services SAS Avenue de la patrouille de France Octeville-sur-Mer BP 204 - 76053 Le Havre Cedex - France					PET	CATIA V5	Nota / Nota :		
Designation / Description :					10 foz US BOTTLE				
Volume ras bord théorique / theoretical brimful at 20°C (after 72h)					323.00 ml				
poids matière / material weight					19.00 g ± 0.25 g				
Fill point at 20 °C :					+5/0ml				
Dessine par / drawn by :					eileen.chang				
Date / date :					28 Apr 2010				
Tiré du plan / reference drawing :					11040894				
Numero / number :					02				
Version / scale :					1				
Format :					A2				